

# Gaming Desk

Item # MMT-3100-1



# 0.75hr

APPROXIMATE ASSEMBLY TIME

1 PERSON ASSEMBLY



FLOOR AREA  
1M x 2M



REQUIRED ASSEMBLY SPACE



DO **NOT** RETURN TO THE STORE  
Individual stores do not stock parts.

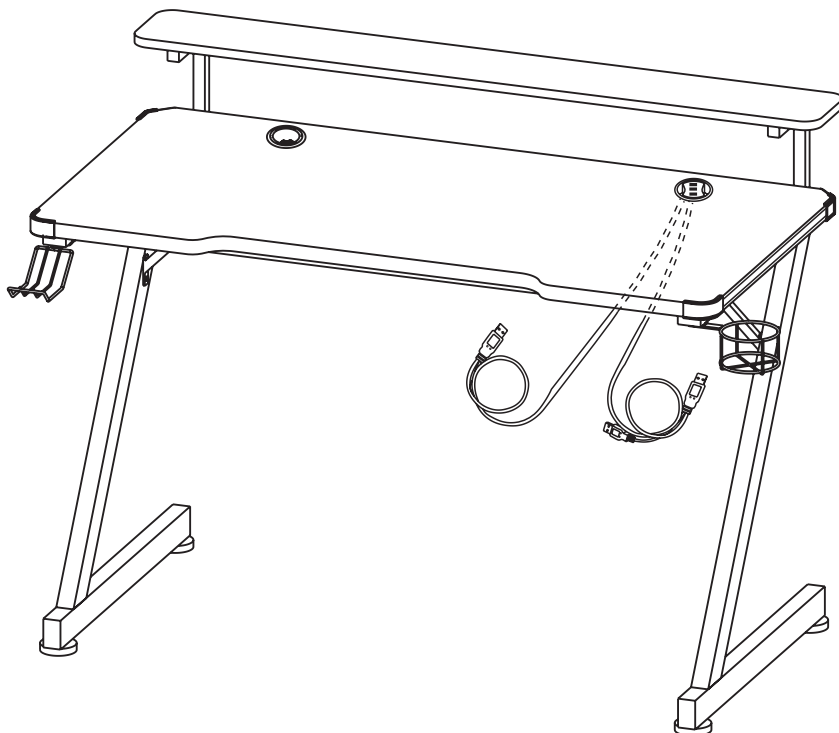
Date of purchase: \_\_\_\_ / \_\_\_\_ / \_\_\_\_

**Need parts or assistance?**

**1-833-562-4730**

drop us an e-mail  
**support@momentumwarranty.com**

For prompt, reliable service, please have your manual ready.



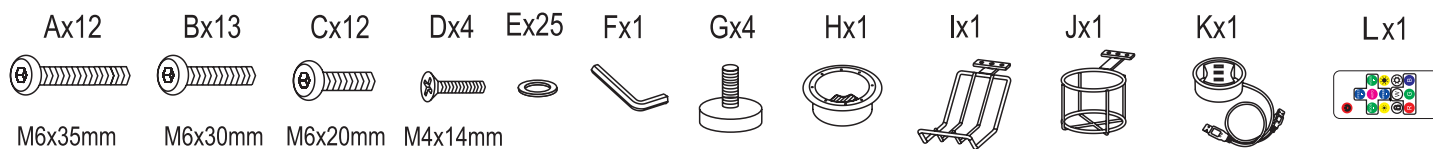
## **Tips before you start:**

1. Please check that all parts are present before you start the assembly of your furniture.
2. For ease and speed of assembly, we recommend that before you commence each step of the assembly, that you identify all the parts required for that step.
3. For larger items, please ensure that you have sufficient space and people (as indicated on page 1) to assemble your product safely.
4. We recommend that, where possible, all items are assembled near to the area in which they will be placed in use, to avoid moving the product unnecessarily once assembled.
5. For the protection of your furniture, we recommend that the product is placed on a protected surface during assembly to prevent any damage.
6. During assembly please take care not to over-tighten any fittings, as this may damage the product.
7. Always place the product on a flat, steady and stable surface.
8. Do not stand on the product. Do not use the product as a stepladder.
9. This product is intended for indoor, household use only as it is a non-industrial product.
10. Please use caution and care when lifting the product to avoid personal injury and/or product damage.






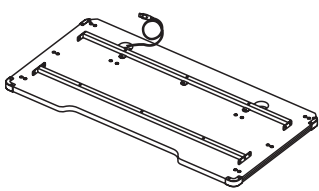

## **Care and Maintenance of your Furniture**

- Please periodically check all fittings and re-tighten as necessary.
- To clean your item, please use a damp cloth and wipe clean.
- Never allow any kind of liquid to remain on your furniture. Absorption can cause wood to warp or finishes to de-laminate.
- Please do not place hot items (eg. hot drinks) directly on to the surface.
- Please do not drag and pull your furniture.

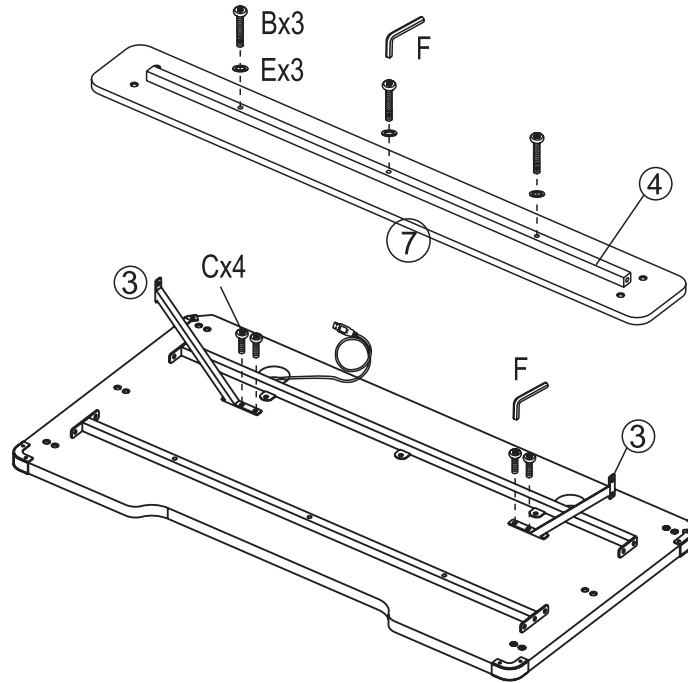
## HARDWARE LIST



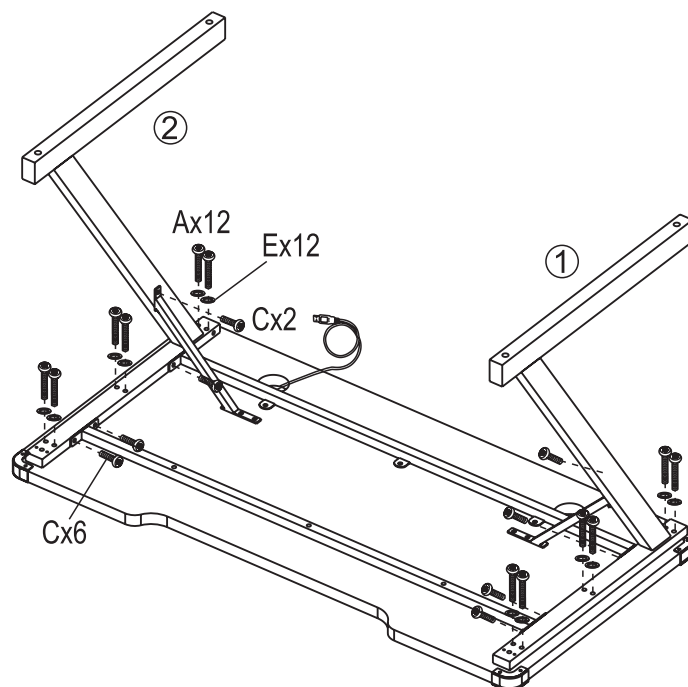
## PARTS LIST

|   |   |  |  |
|---|---|--|--|
|   |   |   |  |
| ① 1 PC  | ② 1 PC  | ③ 2 PCS  | ④ 1 PC   |
|  |  |  |  |
| ⑤ 2 PCS   | ⑥ 1 PC  | ⑦ 1 PC   |  |

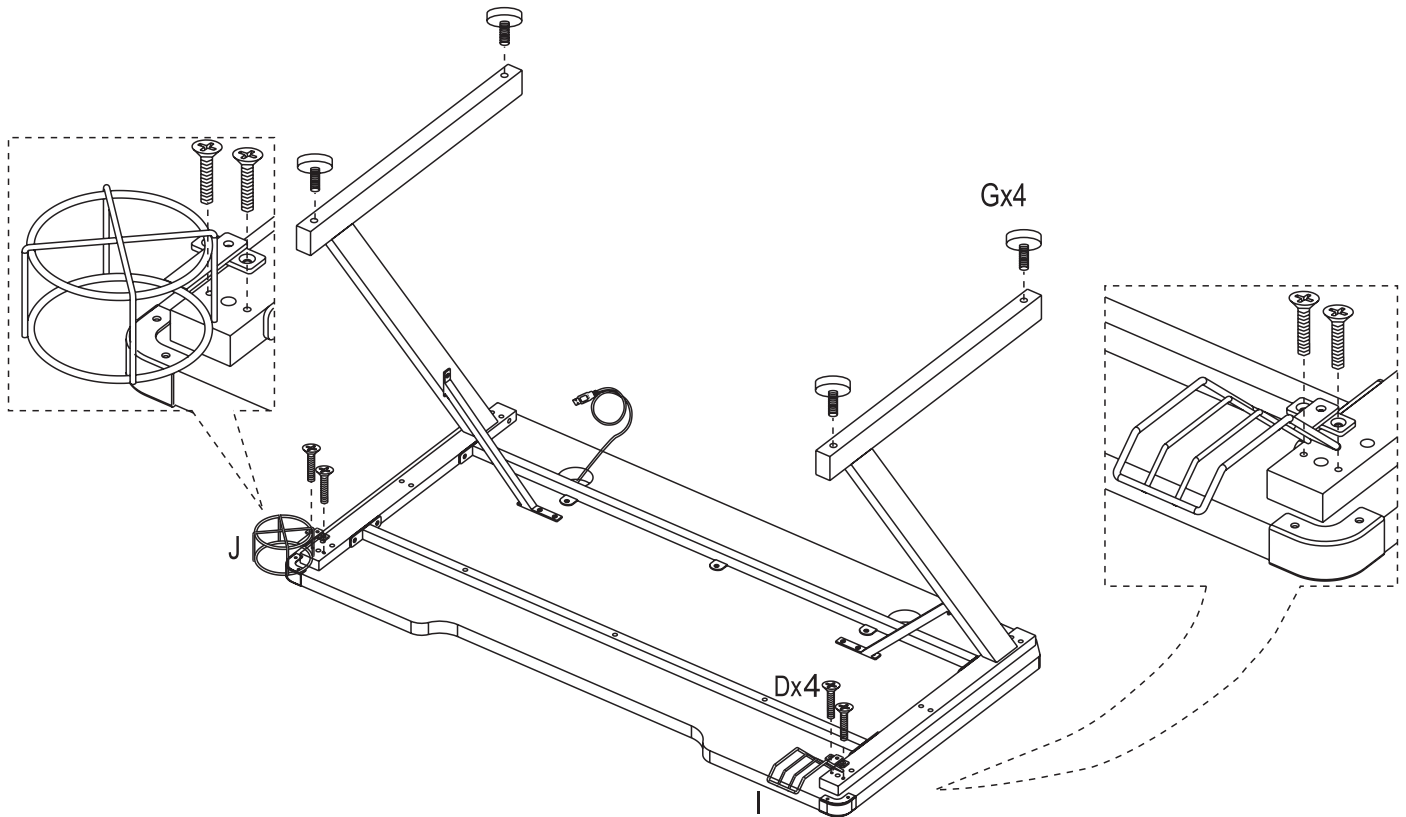
## STEP 1



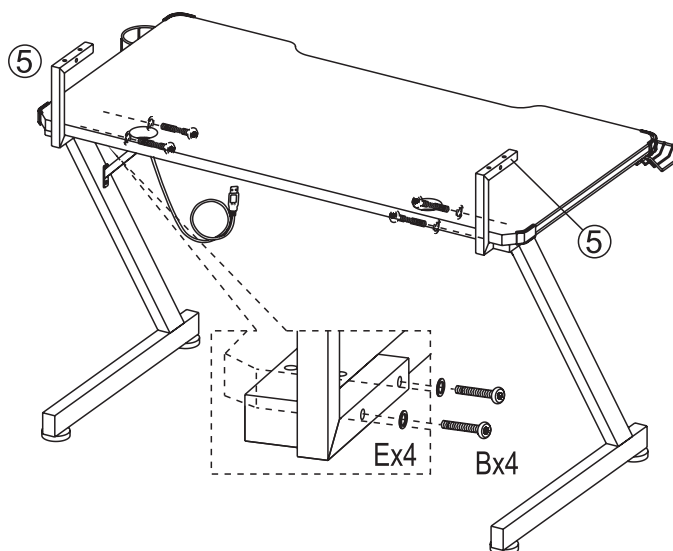
## STEP 2



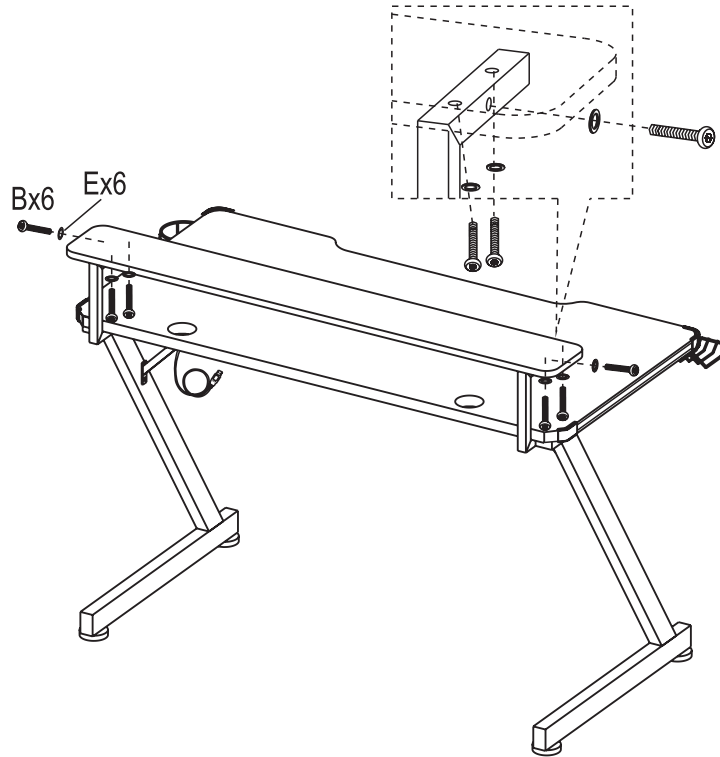
## STEP 3



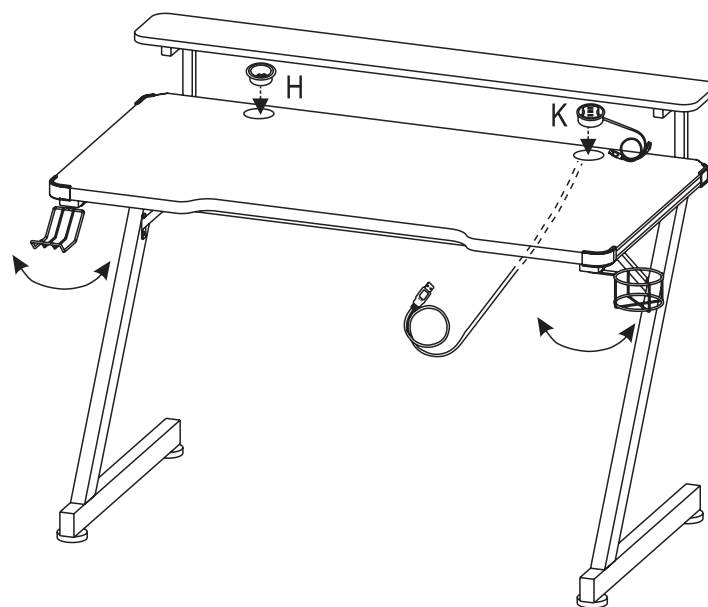
## STEP 4



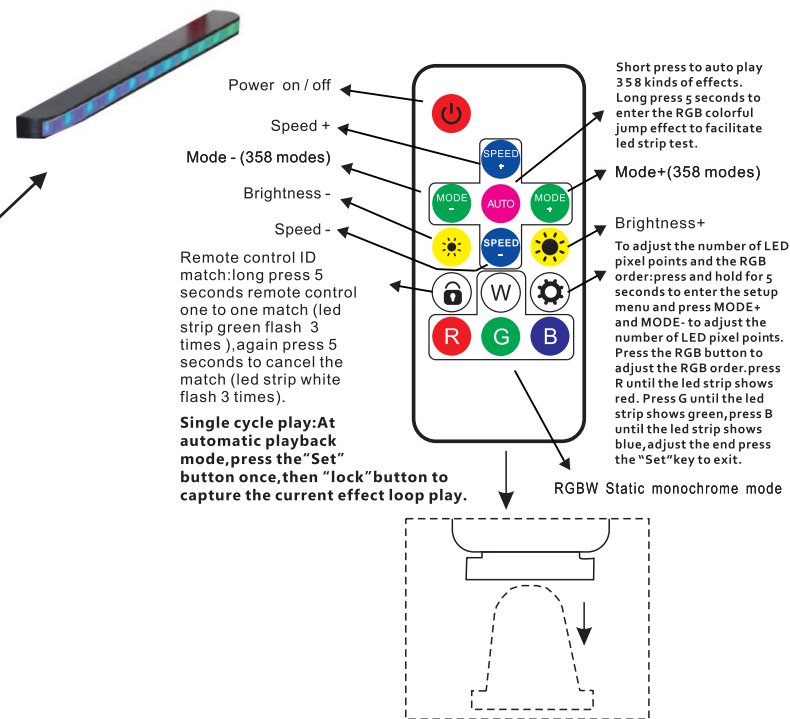
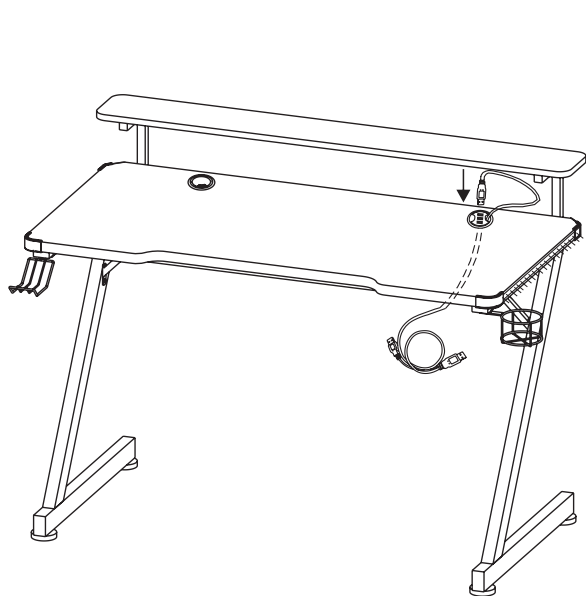
## STEP 5



## STEP 6



## STEP 7



### Replace batteries

open the battery cover, replace batteries ( 3V CR2025 Lithium Coin Cell Battery) matching the + and - and close the battery cover

1. Do not dispose of the battery in a fire.
2. Dispose of batteries in accordance with manufacturer's recommendations and government regulations
3. Batteries should be used in a manner consistent with manufacturer's recommendations and guidelines. When used correctly, primary lithium cells and batteries provide a safe and dependable source of portable power. However, if they are misused or abused, this may result in leakage or in extreme cases, fire or explosion.
4. Always take care to correctly insert batteries observing (+) and (-) polarity marks on the battery and the device for which it is intended. Proper polarity must be observed to avoid charging or damage to either equipment or batteries. Primary batteries shall not be charged. Charging a primary battery, by any means, may result in leakage, fire, or explosion.
5. Keep cells and batteries out of reach of children, especially small batteries fitting within the limits of the gauge as defined. Ingestion may lead to choking or acute and serious personal injury.
6. Immediately seek medical attention if a cell or battery has been swallowed. Also, contact your local poison control center.
7. Never short-circuit batteries, as this may lead to high temperatures. leakage, fire, or explosion.
8. Batteries should not be disassembled, crushed, punctured, or otherwise mutilated. Such abuses may result in leakage, fire, or explosion.
9. Soldering directly to the battery surface should be avoided to prevent possible internal damage, leakage, or cell rupture. Soldering should be done only with the advice of the manufacturer.
10. Batteries should not be placed into a fire except under conditions of controlled incineration. Failure to observe this precaution may result in a explosion.
11. Store unused batteries in their original packaging and away from metal objects that may short-circuit them. In addition, batteries should be stored in a cold, dry place.
12. In the event that the electrolyte comes into contact with the skin or eyes, immediately flush with fresh water for a least 15 minutes and seek medical attention.
13. Batteries should not be heated or exposed to temperatures exceeding the manufacturer's recommended maximum temperature. Such thermal exposure may lead to leakage, fire, or explosion.