



DO NOT RETURN TO THE STORE
Individual stores do not stock parts.

Need parts or assistance?

1-833-562-4730

drop us an e-mail
support@momentumwarranty.com

For prompt, reliable service, please have your manual ready.

CAUTION :

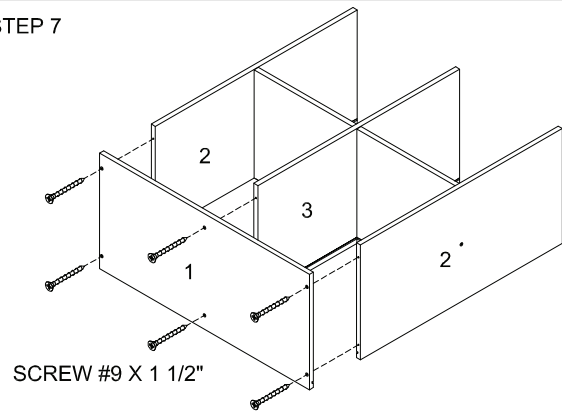
THIS ITEM IS MADE OF LAMINATED PARTICLE BOARD AND MEDIUM DENSITY FIBRE BOARD TO BE ASSEMBLED ON A DRY, SOFT, SMOOTH AND CLEAN SURFACE. DO NOT USE DETERGENT OR CHEMICAL. AVOID DAMP AND DIRECT SUNLIGHT.

STEP 1	CHECK YOUR HARDWARE	QTY
	SCREW #9 X 1 1/2"	15 PCS
	WOOD DOWEL M6 X 25	8 PCS
	STICKER	14 PCS

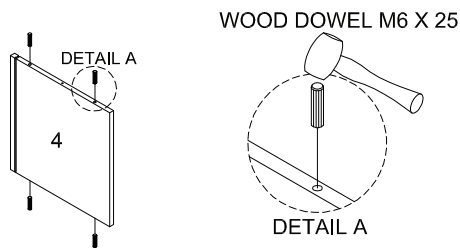
TOOLS REQUIRED

	SCREW DRIVER		HAMMER
--	--------------	--	--------

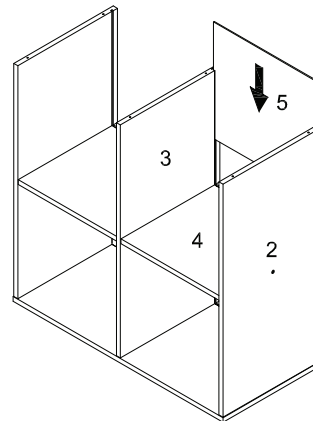
STEP 7



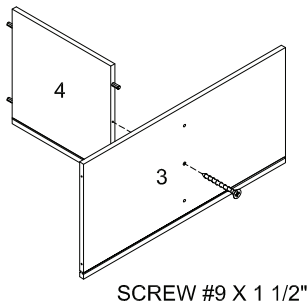
STEP 2



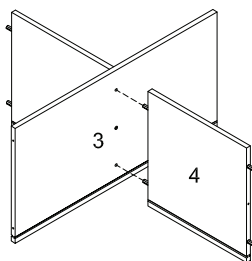
STEP 8



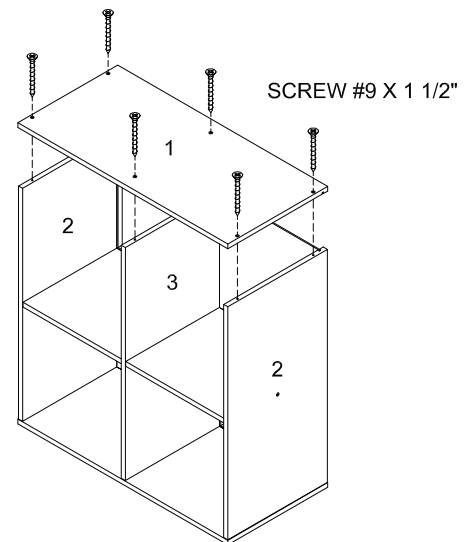
STEP 3



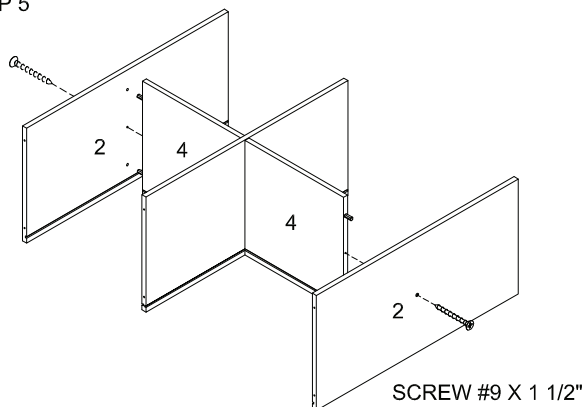
STEP 4



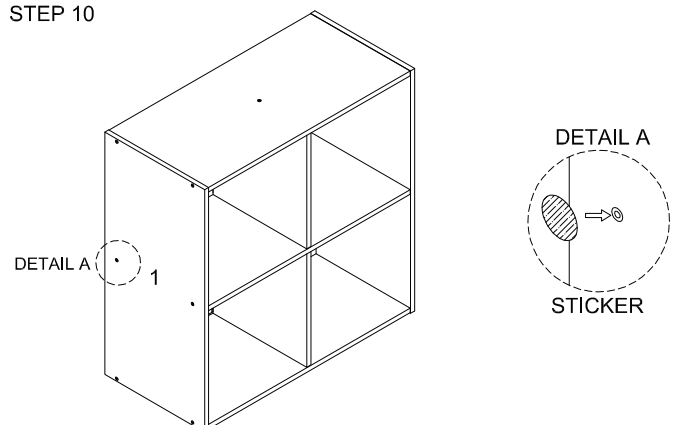
STEP 9



STEP 5



STEP 10



STEP 6

