

# Gaming Chair

Item # MMT-4201-1



## 0.5hr

APPROXIMATE ASSEMBLY TIME

1 PERSON ASSEMBLY



FLOOR AREA  
1M x 2M



REQUIRED ASSEMBLY SPACE



DO **NOT** RETURN TO THE STORE  
Individual stores do not stock parts.

Date of purchase: \_\_\_\_ / \_\_\_\_ / \_\_\_\_

**Need parts or assistance?**

**1-833-562-4730**

drop us an e-mail  
**support@momentumwarranty.com**

For prompt, reliable service, please have your manual ready.

## Tips before you start:

1. Please check that all parts are present before you start the assembly for your furniture
2. For easy and speed of assembly, we recommend that before you commence each step of the assembly, that you identify all the parts required for the step.
3. For large item, please ensure that you have sufficient space and people (as indicated on page 1)
4. We recommend the item is assembled near the area in which the will be placed for use, to avoid moving the product unnecessarily once assembled.
5. For the protection of your furniture, we recommend that the product is placed on a protected surface during assembly to prevent any damage.
6. During assembly please take care not to over-tighten any fittings, as this may damage the product.
7. Always place the product on a flat, steady and stable surface.
8. Do not stand on the product. Do not use the product as stepladder.
9. This product is intended for indoor, household use only as it is a non-industrial product.
10. Please use caution and care when lifting the product to avoid personal injury and/or product damage.

## Care and Maintenance

- To Clean the Chair, it is recommended to use soft cloth lightly damped in a solution of soap and water, then dry with a clean towel.
- Do not use solvents or abrasive materials to clean any part of the chair.
- Before applying a cleaning agent, test on a small hidden area of the chair, like the underneath seat.
- Do not expose the product to direct sunlight, or to extreme environmental conditions.
- Every 4 months, inspect the chair completely and make sure all the screws are tightened

## HARDWARE LIST



6 x A  
Screw  
(8 x 25mm)

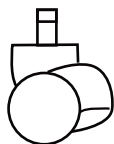


8 x B  
Screw  
(6 x 30mm)

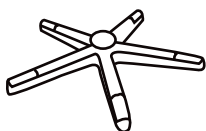


1 x E  
Allen Key

## PARTS LIST



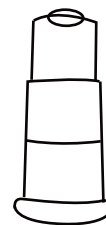
1 5 PCS



2 1 PC



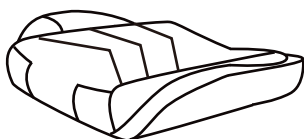
3 1 PC



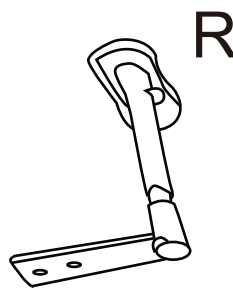
4 1 PC



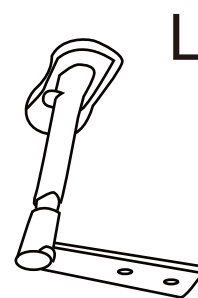
5 1 PC



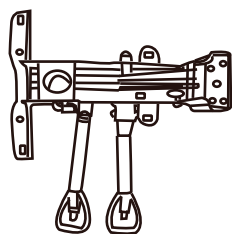
6 1 PC



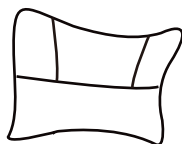
7 1 PC



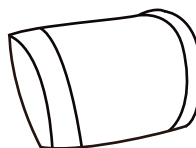
8 1 PC



9 1 PC



10 1 PC

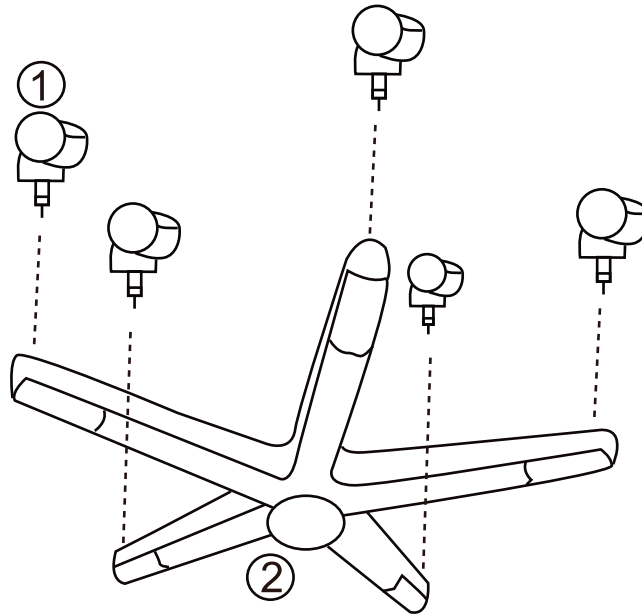


11 1 PC

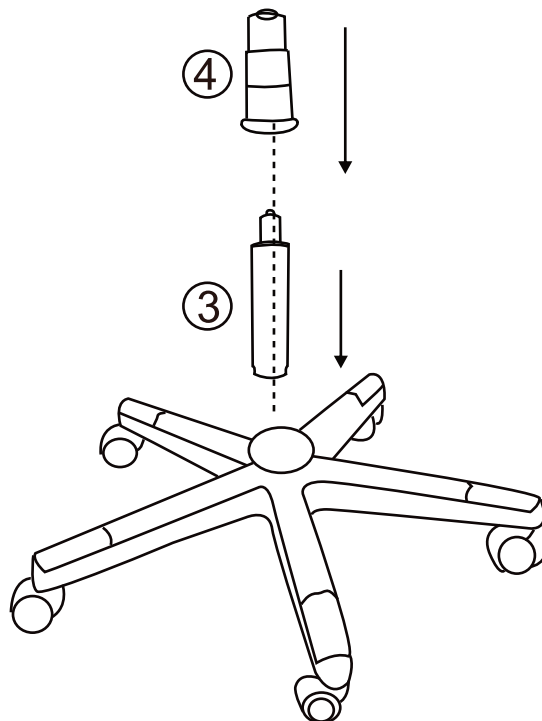


12 1 PC

## STEP 1

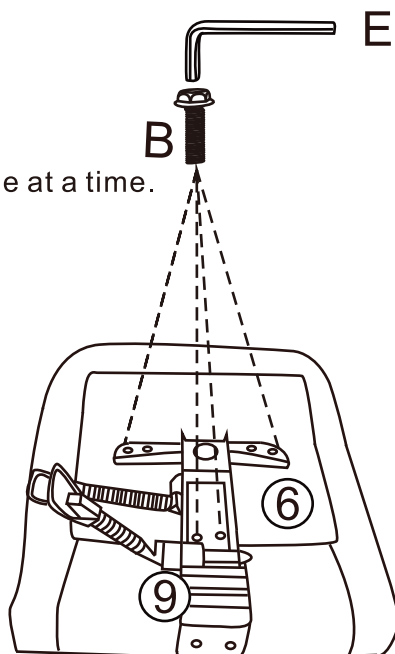


## STEP 2

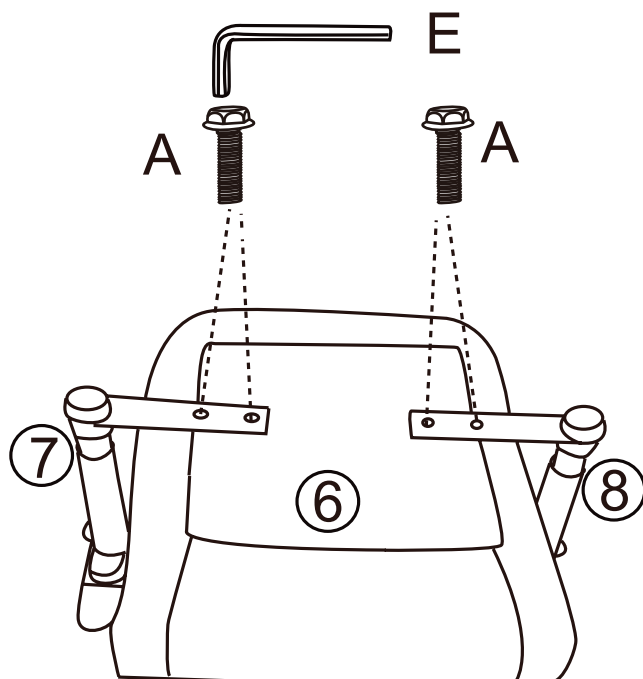


## STEP 3

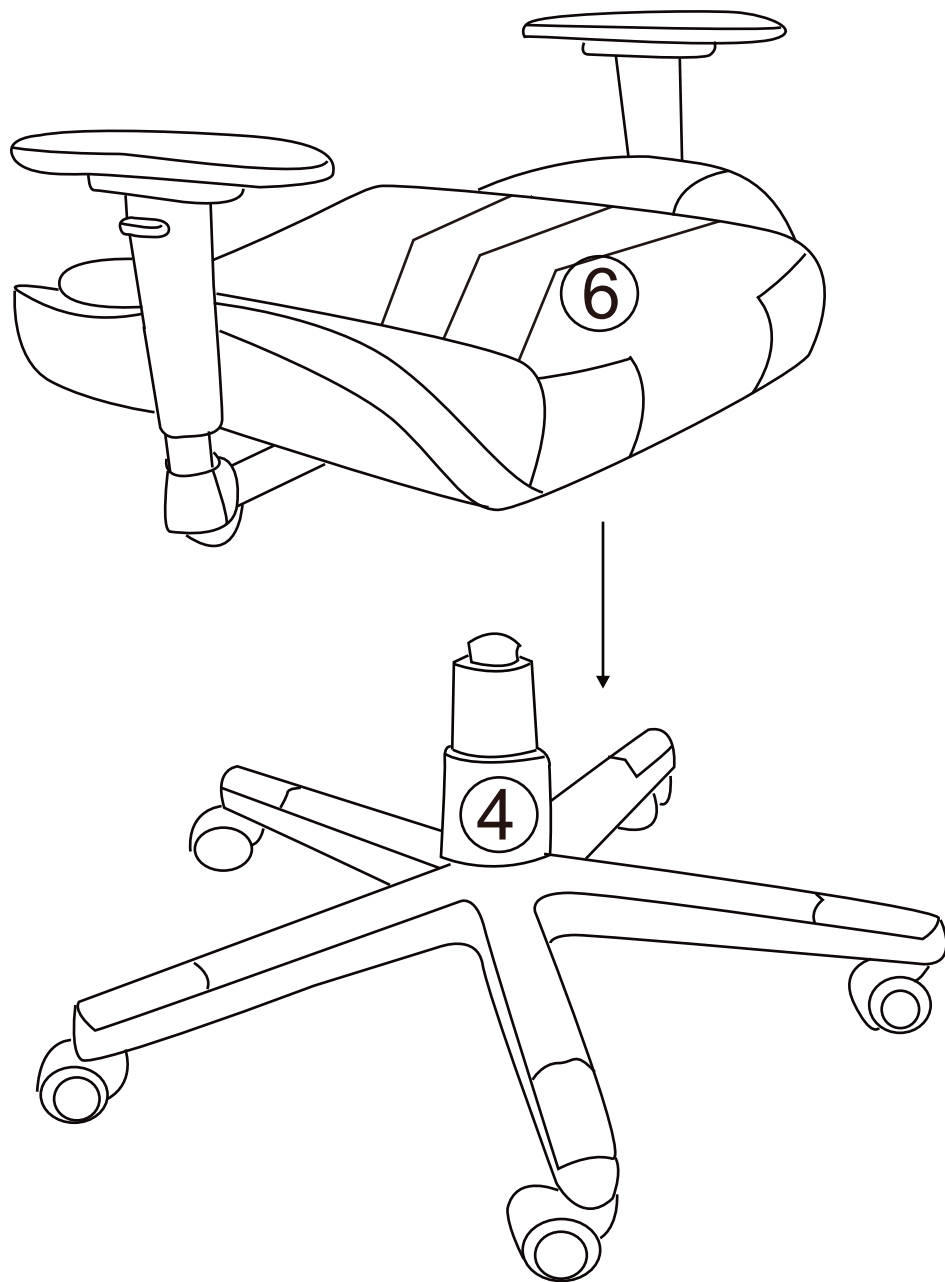
Screw all bolts into place first then tighten each bolt securely one at a time.



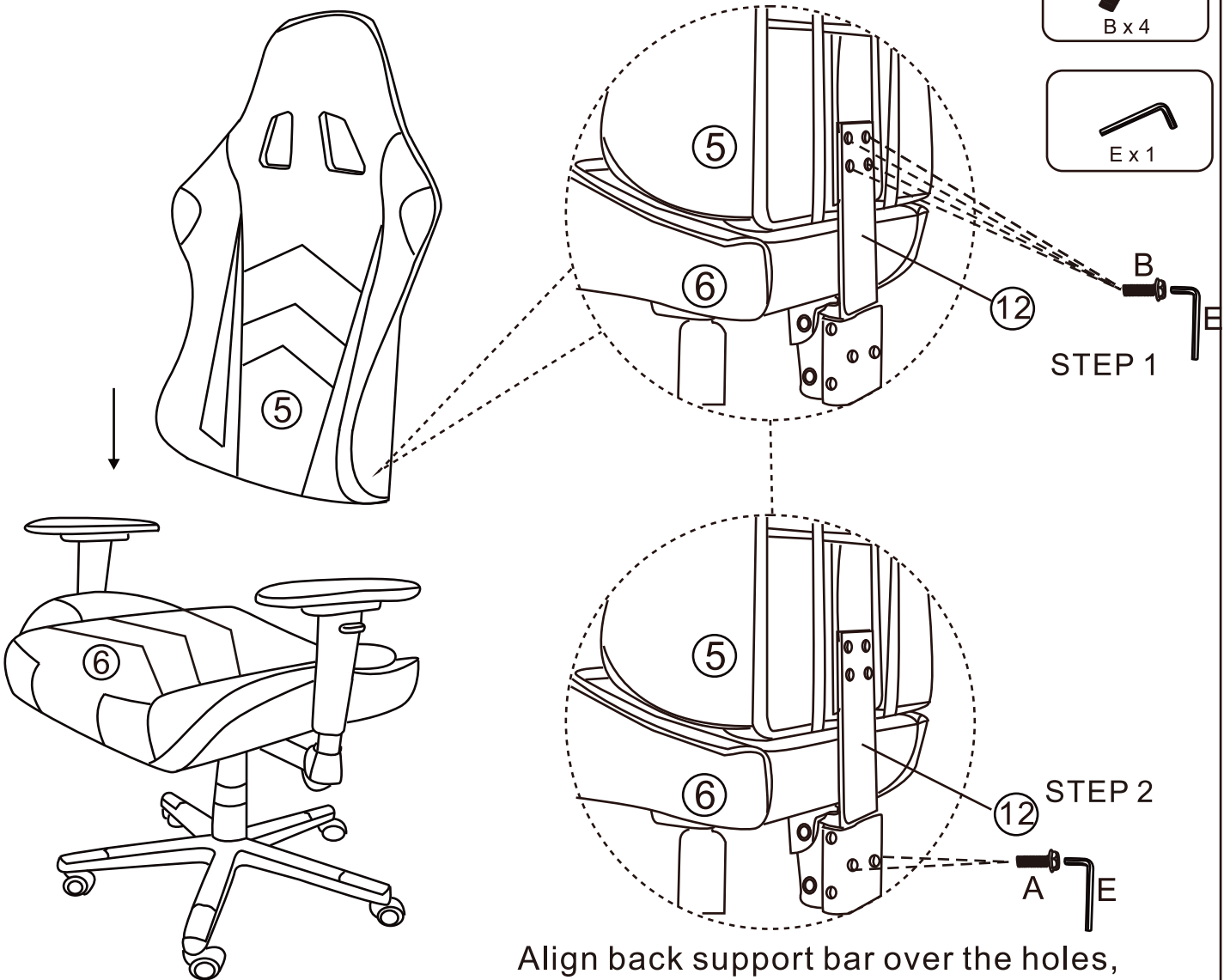
## STEP 4



## STEP 5

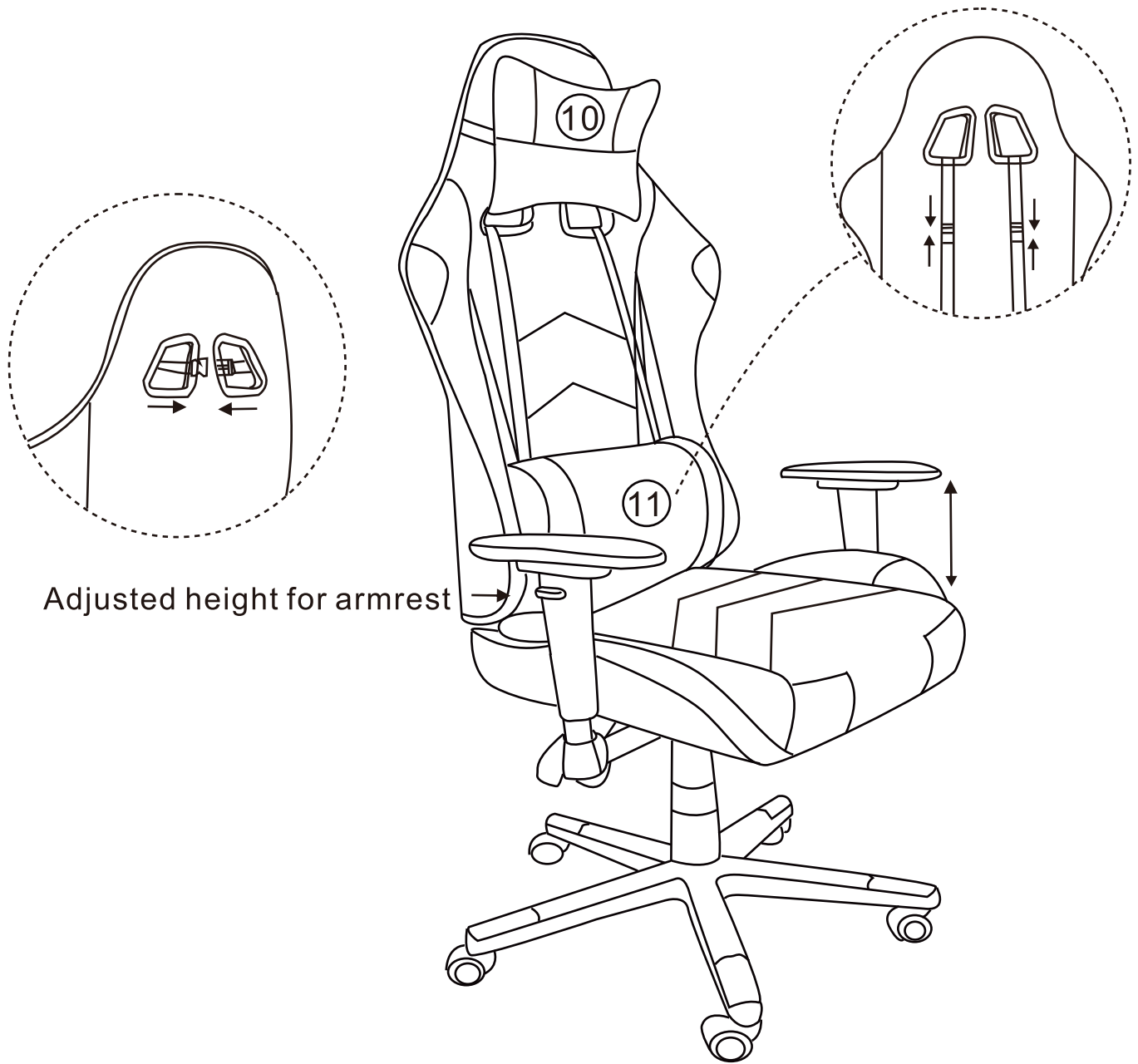


## STEP 6



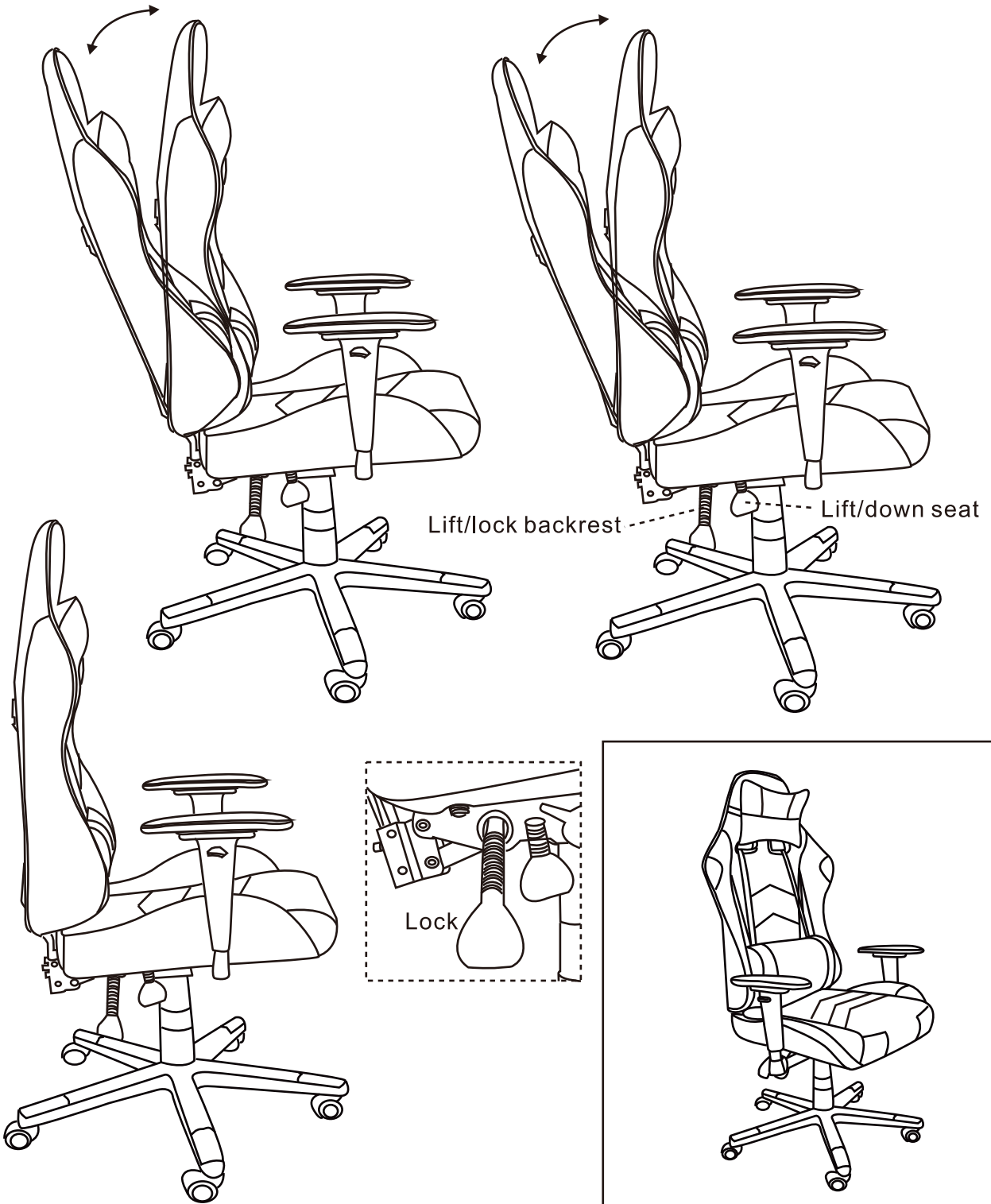
Align back support bar over the holes, then screw all bolts into place one at a time. After bolts are in place tighten each bolt securely one at a time.

## STEP 7





## STEP 8



Please note: Maximum recommended weight is 250 lbs.