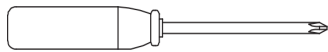
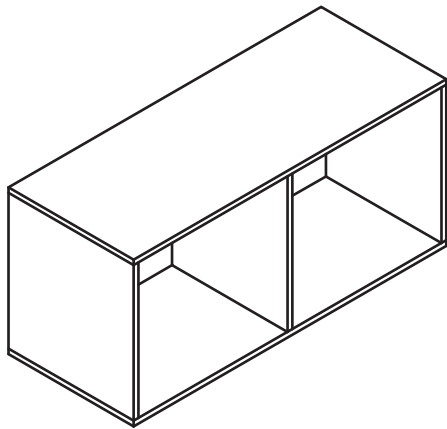




MODEL # 603932 IBD 2 CUBE OPENSHELF ASSEMBLY INSTRUCTIONS

ASSEMBLY TOOLS REQUIRED
No. 2 Phillips Screwdriver






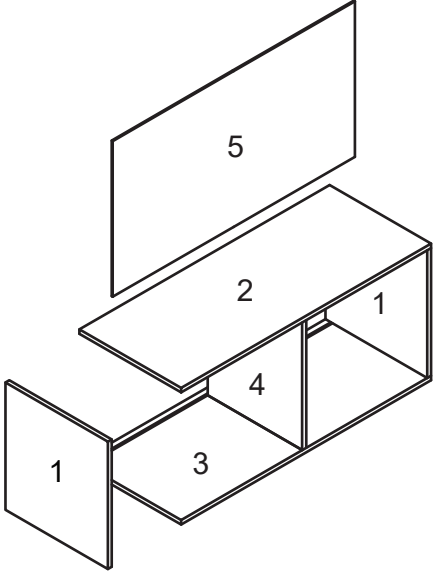
RECOMMENDED MAXIMUM WEIGHT
TOTAL MAXIMUM WEIGHT LIMIT: 25 LBS.
MAXIMUM WEIGHT PER SHELF: 10 LBS.

IMPORTANT NOTE:

1. PLEASE READ THE INSTRUCTIONS CAREFULLY BEFORE ASSEMBLY AND FOLLOW THEM STEP BY STEP.
2. CAREFULLY REMOVE ALL PARTS FROM THE BOX AND MAKE SURE THAT NO PARTS ARE MISSING.
3. ASSEMBLE ON SOFT SURFACE TO PREVENT DAMAGE TO THE FINISHED PRODUCT. TO PROTECT YOUR FLOOR FROM COLOR TRANSFER, DO NOT ASSEMBLE DIRECTLY ON CARPETED FLOORING.
4. ITEM SHOULD BE ASSEMBLED BY ADULT OR UNDER ADULT SUPERVISION.

SUGGESTED CLEANING: WIPE WITH A SOFT CLOTH. DO NOT USE HARSH CHEMICALS OR ABRASIVE CLEANERS. FURNITURE POLISH OR WAX SHOULD NEVER BE USED ON SHELF SURFACES.

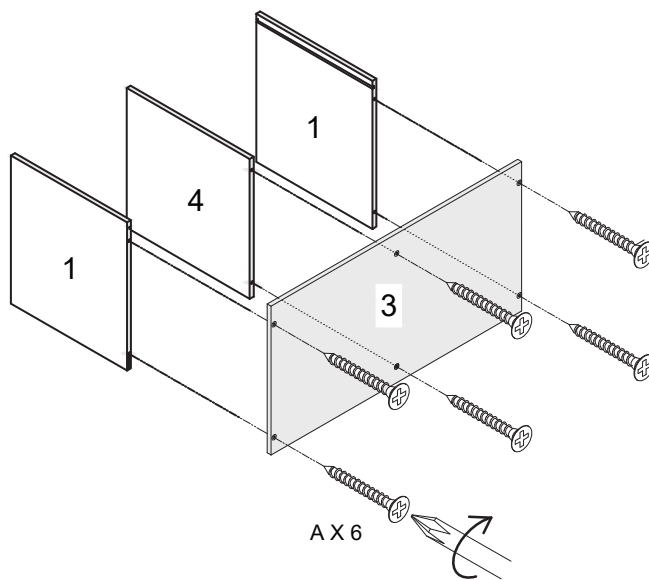
NO	PARTS LIST	QTY
A	 SCREW #7 X 1-1/4"	12 PCS
B	 STICKER	6 PCS



	DO <u>NOT</u> RETURN TO THE STORE Individual stores do not stock parts.
Date of purchase: ____ / ____ / ____	
Need parts or assistance?	
1-888-462-0122	
drop us an e-mail	
support@momentumfurnishings.com	
For prompt, reliable service, please have your manual ready.	

STEP 1

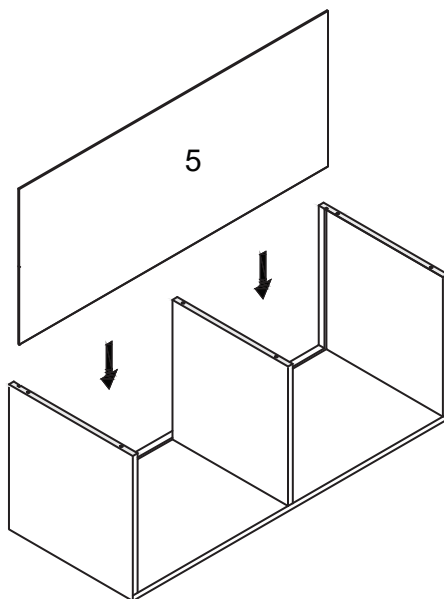
**Face Board #3 paper side out Screw Board #4 onto Board #3
Screw Boards #1 onto Board #3**



*raw edges are shaded

STEP 2

Slide Back Board # 5 (White Paper Side facing into the Cube) into the grooves of Board #3

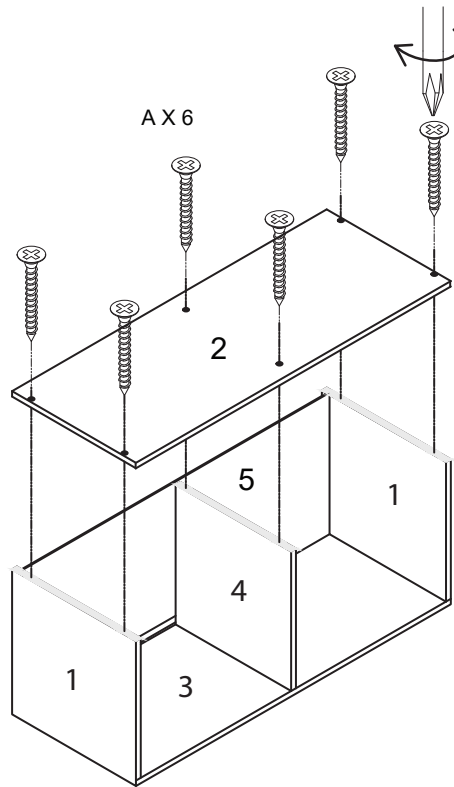


*raw edges are shaded

STEP 3

Insert Board #2 grooves in Back Board #5

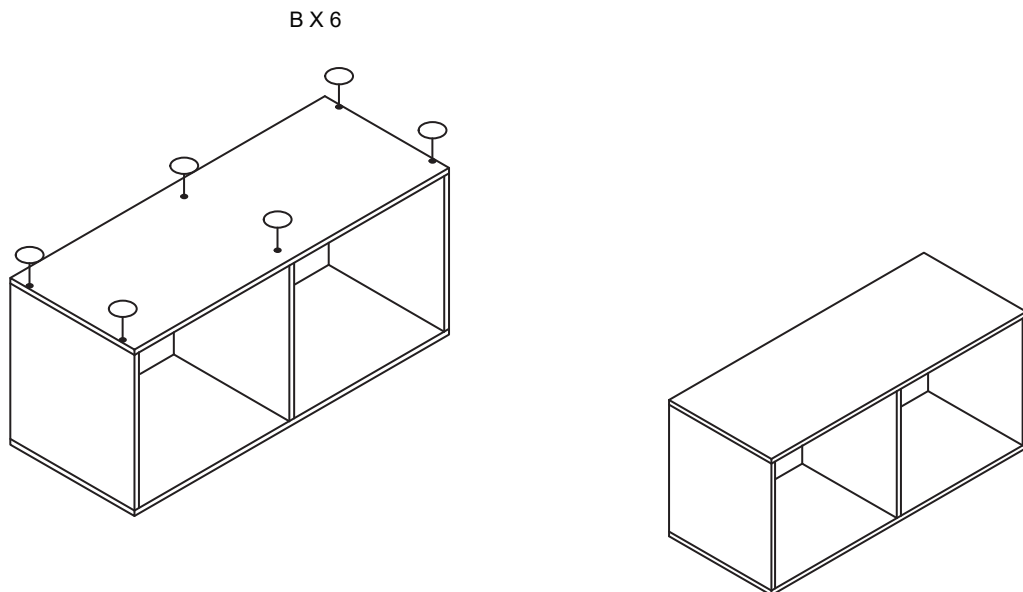
Align Board #2 holes with with Boards #1, #4 and Screw into the Board



*raw edges are shaded

STEP 4

Add Stickers over Visible Screws



WARNING

DO NOT SIT, STAND OR CLIMB ON FURNITURE! USE PRODUCT ONLY AS INTENDED AND WITHIN RECOMMENDED MAXIMUM WEIGHT LIMITS. FAILURE TO COMPLY COULD RESULT IN SERIOUS INJURY OR DAMAGE TO PROPERTY.