

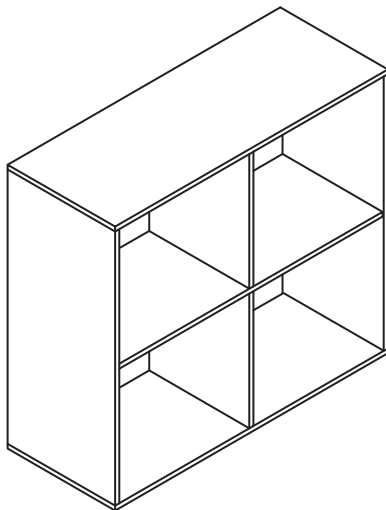
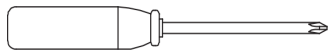


MODEL # 603935

IBD 4 CUBE STORAGE ORGANIZER ASSEMBLY INSTRUCTIONS

ASSEMBLY TOOLS REQUIRED

No. 2 Phillips Screwdriver






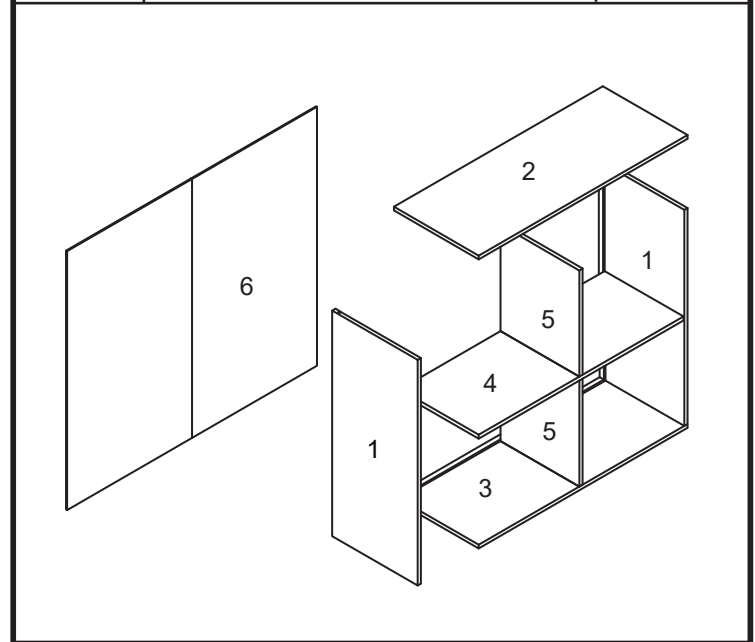
RECOMMENDED MAXIMUM WEIGHT
TOTAL MAXIMUM WEIGHT LIMIT: 25 LBS.
MAXIMUM WEIGHT PER SHELF: 10 LBS.

IMPORTANT NOTE:

1. PLEASE READ THE INSTRUCTIONS CAREFULLY BEFORE ASSEMBLY AND FOLLOW THEM STEP BY STEP.
2. CAREFULLY REMOVE ALL PARTS FROM THE BOX AND MAKE SURE THAT NO PARTS ARE MISSING.
3. ASSEMBLE ON SOFT SURFACE TO PREVENT DAMAGE TO THE FINISHED PRODUCT. TO PROTECT YOUR FLOOR FROM COLOR TRANSFER, DO NOT ASSEMBLE DIRECTLY ON CARPETED FLOORING.
4. ITEM SHOULD BE ASSEMBLED BY ADULT OR UNDER ADULT SUPERVISION.

SUGGESTED CLEANING: WIPE WITH A SOFT CLOTH. DO NOT USE HARSH CHEMICALS OR ABRASIVE CLEANERS. FURNITURE POLISH OR WAX SHOULD NEVER BE USED ON SHELF SURFACES.

NO	PARTS LIST	QTY
A	 SCREW #7 X 1-1/4"	16 PCS
B	 WOOD DOWEL M5 X 35	2 PCS
C	 STICKER	10 PCS



DO **NOT** RETURN TO THE STORE
Individual stores do not stock parts.

Date of purchase: ____ / ____ / ____

Need parts or assistance?

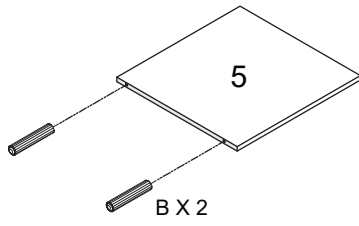
1-888-462-0122

drop us an e-mail

support@momentumfurnishings.com

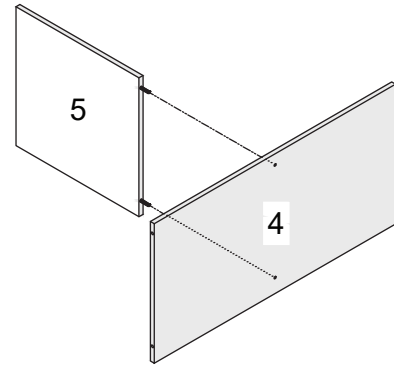
For prompt, reliable service, please have your manual ready.

STEP 1



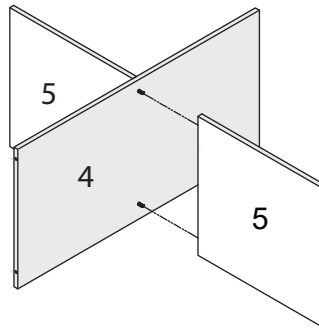
*raw edges are shaded

STEP 2



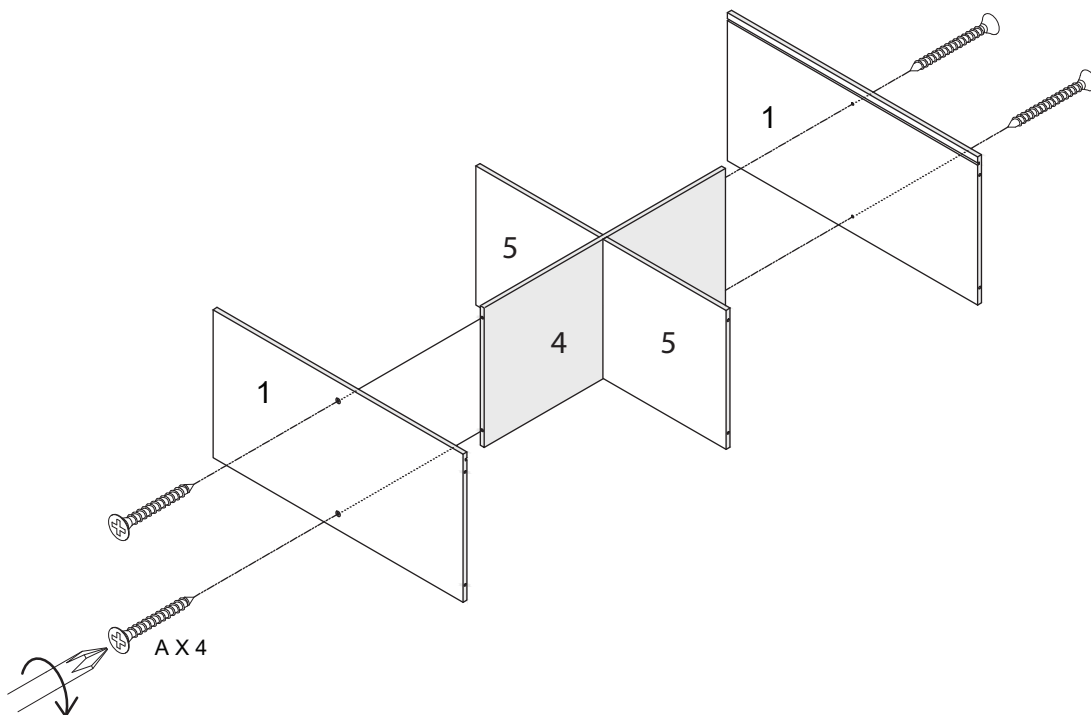
*raw edges are shaded

STEP 3



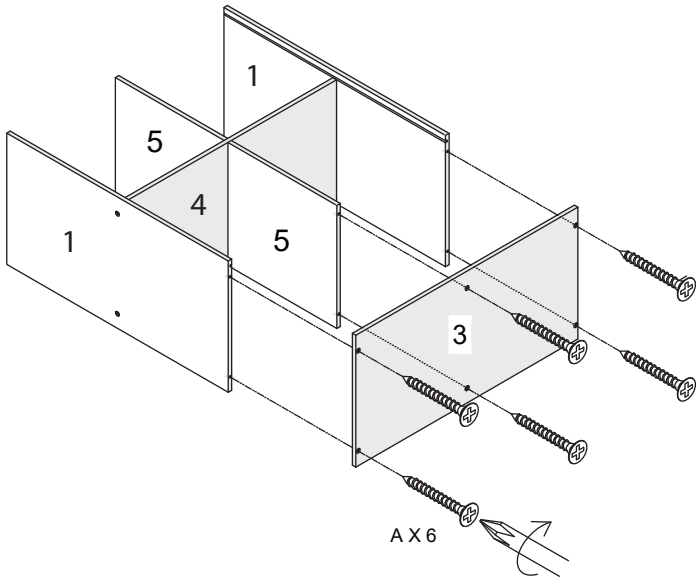
*raw edges are shaded

STEP 4



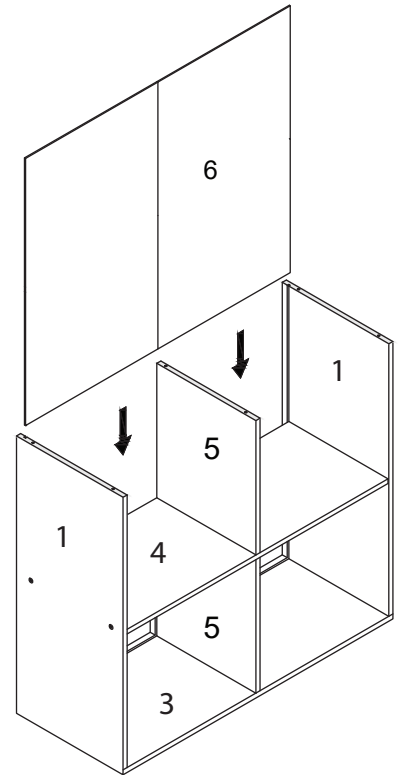
*raw edges are shaded

STEP 5

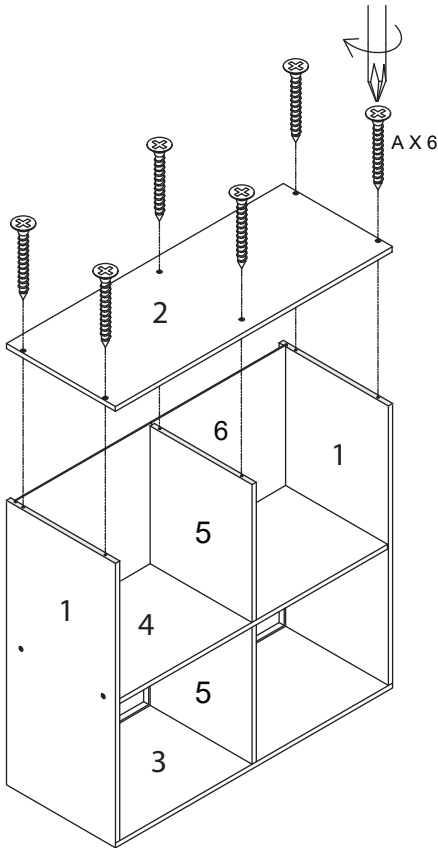


*raw edges are shaded

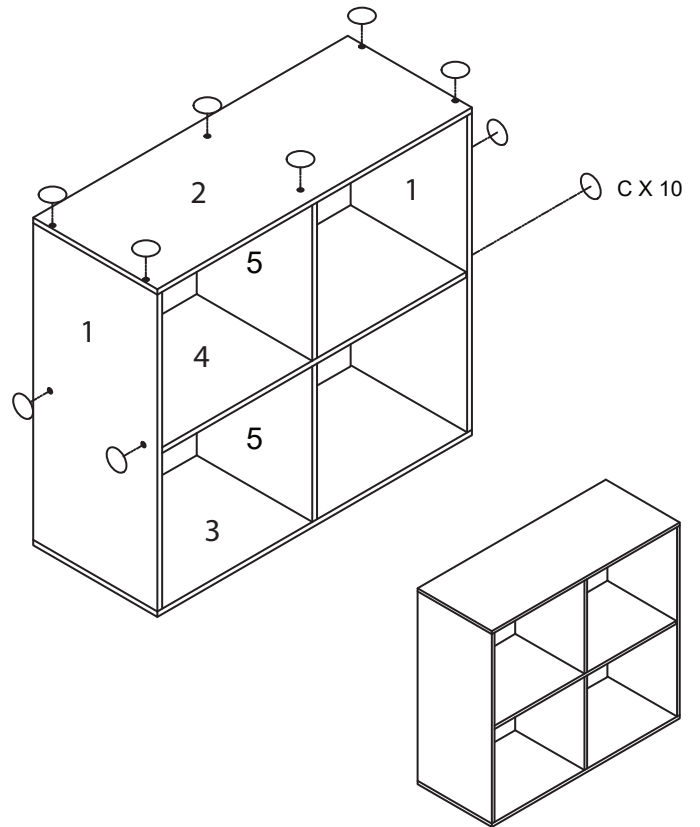
STEP 6



STEP 7



STEP 7



WARNING

DO NOT SIT, STAND OR CLIMB ON FURNITURE! USE PRODUCT ONLY AS INTENDED AND WITHIN RECOMMENDED MAXIMUM WEIGHT LIMITS. FAILURE TO COMPLY COULD RESULT IN SERIOUS INJURY OR DAMAGE TO PROPERTY.