

PBF-0703

ASSEMBLING INSTRUCTIONS

CAUTION :

THIS ITEM IS MADE OF LAMINATED PARTICLE BOARD AND MEDIUM DENSITY FIBRE BOARD TO BE ASSEMBLED ON A DRY, SOFT, SMOOTH AND CLEAN SURFACE . DO NOT USE DETERGENT OR CHEMICAL. AVOID DAMP AND DIRECT SUNLIGHT.

| STEP 1 | CHECK YOUR HARDWARE | QTY |
|--------|----------------------------|--------|
| | WOOD DOWEL M8 X 50 | 16 PCS |
| | JCBC MACHINE SCREW M6 X 70 | 8 PCS |
| | ALLEN KEY | 1 PC |
| | STICKER | 8 PCS |

TOOLS REQUIRED

| | |
|--|--------|
| | HAMMER |
|--|--------|

STEP 2

DETAIL A
WOOD DOWEL M8 X 50

STEP 3

STEP 4

STEP 5

ALLEN KEY

JCBC MACHINE SCREW M6 X 70

STEP 6

ALLEN KEY

JCBC MACHINE SCREW M6 X 70

STEP 7

DETAIL A
STICKER

PRECAUCION

ESTA ARTICULO SE HACE DE LAMINADO DE AGLOMERADO Y TABLA DE MDF.

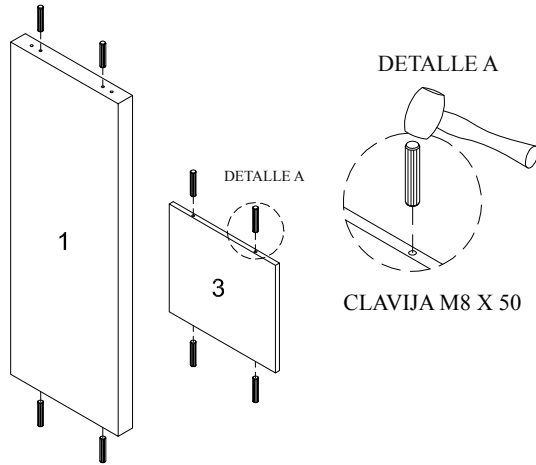
PARA SER MONTADOS SOBRE UNA SUPERFICIE SECA, SUAVE, LISA Y LIMPIA. NO USE DETERGENTES O QUIMICOS. EVITAR LA HUMEDAD Y LA LUZ DE SOL.

| PASO 1 | COMPROBAR EL HARDWARE | CANTIDAD |
|--------|-------------------------------------|----------|
| | CLAVIJA M8 X 50 | 16 PCS |
| | TORNILLO DE LA MÁQUINA JCBC M6 X 70 | 8 PCS |
| | LLAVE ALLEN | 1 PC |
| | PEGATINA | 8 PCS |

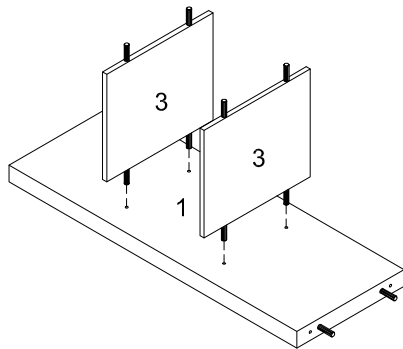
HERRAMIENTAS NECESSARIO

| | |
|--|----------|
| | MARTILLO |
|--|----------|

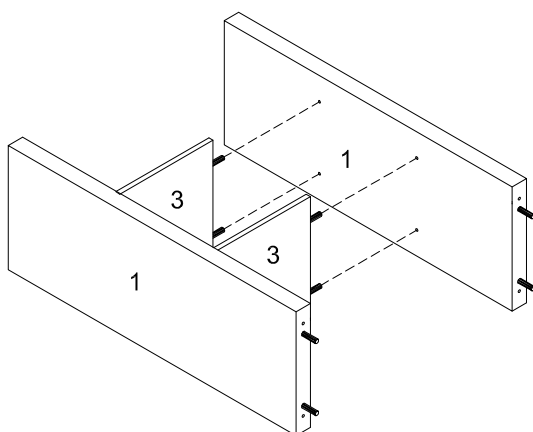
PASO 2



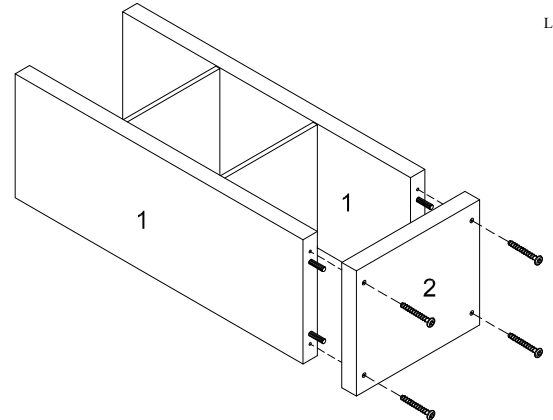
PASO 3



PASO 4

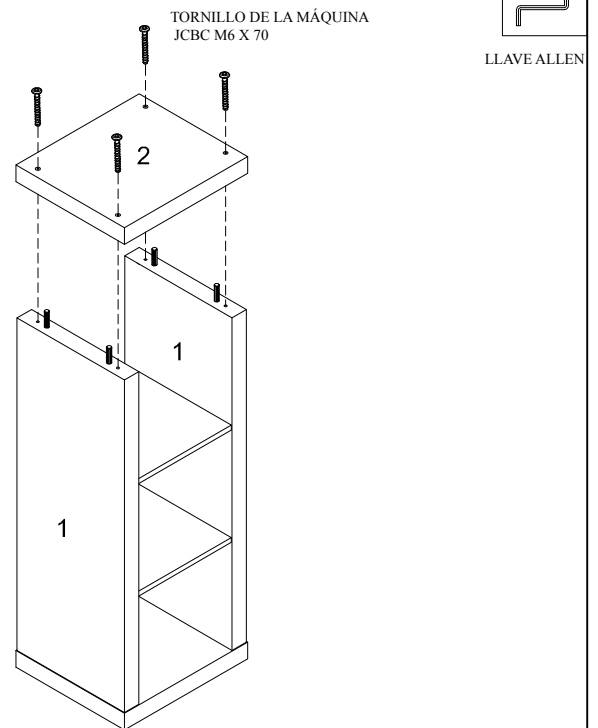


PASO 5



TORNILLO DE LA MÁQUINA JCBC M6 X 70

PASO 6



PASO 7

