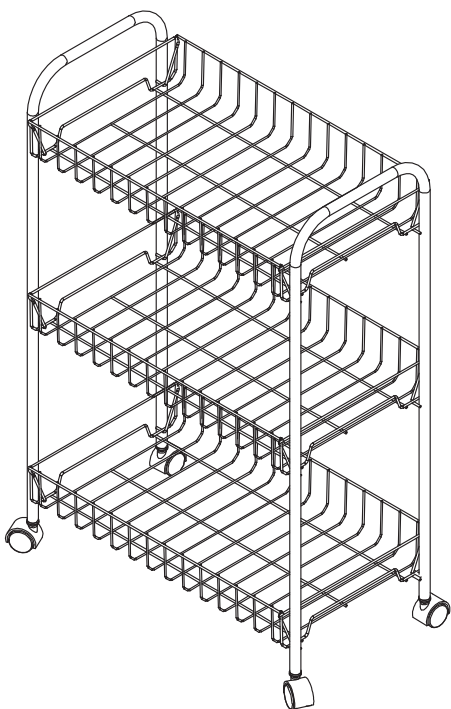
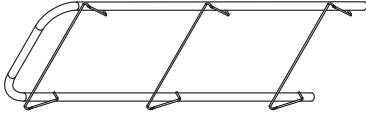
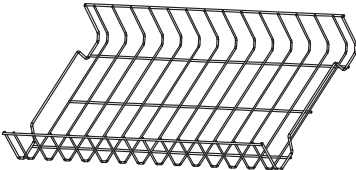
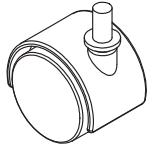


# MODEL # 603691

## 3 TIER ROLLING CART W SHELVING ASSEMBLY INSTRUCTIONS



NO	PARTS LIST	QTY
1		2 Pcs
2		3 Pcs
3		4 Pcs



DO **NOT** RETURN TO THE STORE  
Individual stores do not stock parts.

Date of purchase: \_\_\_\_ / \_\_\_\_ / \_\_\_\_

Need parts or assistance?

**1-833-562-4730**

drop us an e-mail  
[support@momentumwarranty.com](mailto:support@momentumwarranty.com)

For prompt, reliable service, please have your manual ready.

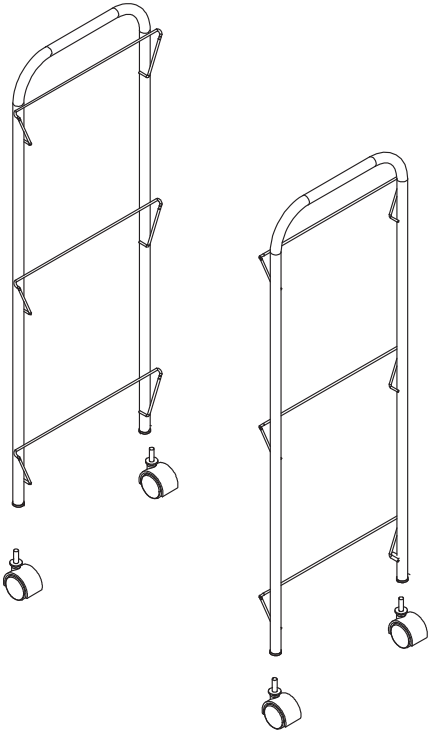
**RECOMMENDED MAXIMUM WEIGHT**  
**TOTAL MAXIMUM WEIGHT LIMIT: 50 LBS.**  
**MAXIMUM WEIGHT PER SHELF: 22 LBS**

### IMPORTANT NOTE:

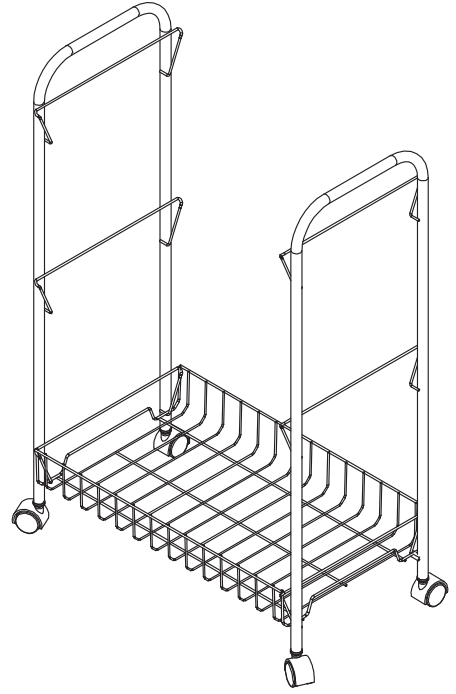
1. PLEASE READ THE INSTRUCTIONS CAREFULLY BEFORE ASSEMBLY AND FOLLOW THEM STEP BY STEP.
2. CAREFULLY REMOVE ALL PARTS FROM THE BOX AND MAKE SURE THAT NO PARTS ARE MISSING.
3. ASSEMBLE ON SOFT SURFACE TO PREVENT DAMAGE TO THE FINISHED PRODUCT. TO PROTECT YOUR FLOOR FROM COLOR TRANSFER, DO NOT ASSEMBLE DIRECTLY ON CARPETED FLOORING
4. ITEM SHOULD BE ASSEMBLED BY ADULT OR UNDER ADULT SUPERVISION.

**SUGGESTED CLEANING:** WIPE WITH A SOFT CLOTH. DO NOT USE HARSH CHEMICALS OR ABRASIVE CLEANERS. FURNITURE POLISH OR WAX SHOULD NEVER BE USED ON SHELF SURFACES.

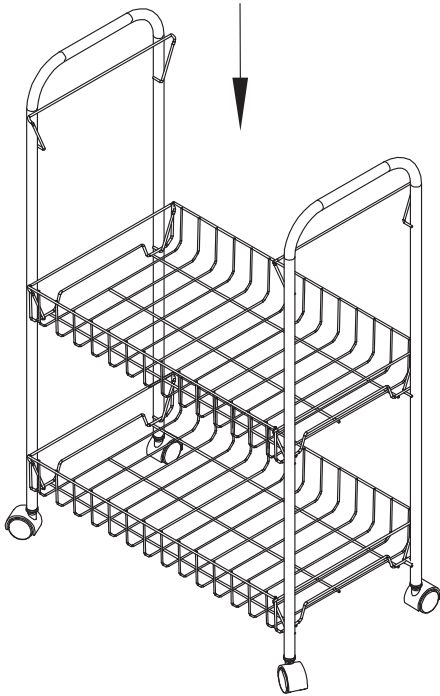
**STEP 1**



**STEP 2**



**STEP 3**



**STEP 4**

